

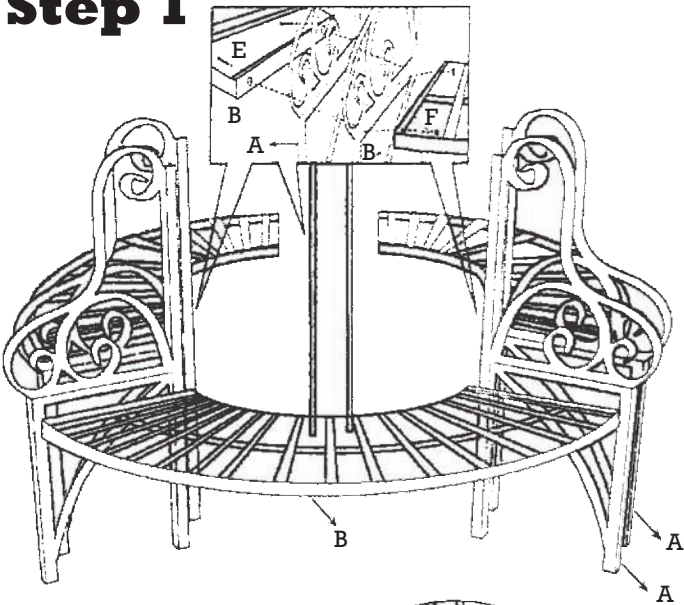
design TOSCANO[®]

INSTRUCTIONS

FOR YOUR PRODUCT

Thank you for your recent purchase of this Design Toscano architectural bench. We have taken great care to create this piece especially for you. Please review these instructions and assemble this piece with care. A two person assembly is suggested. Do not over tighten any screws or bolt connections.

Step 1

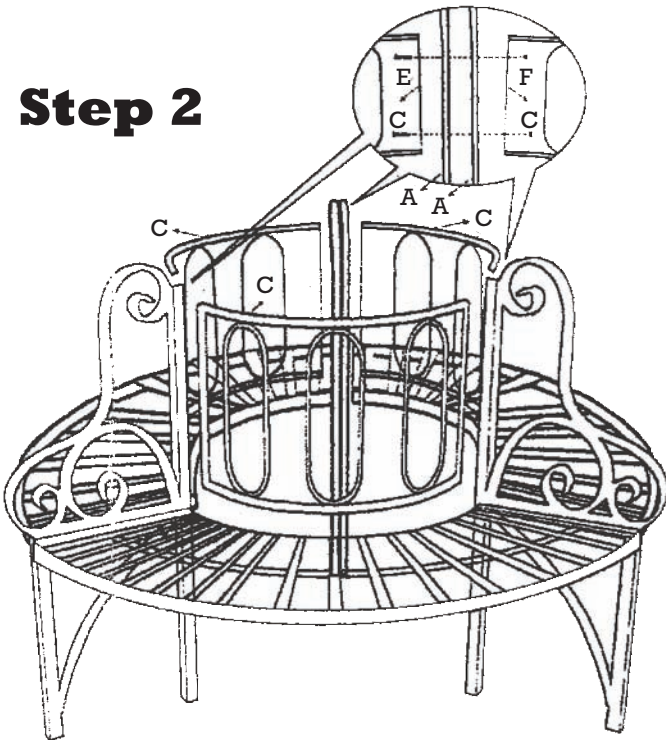


Parts

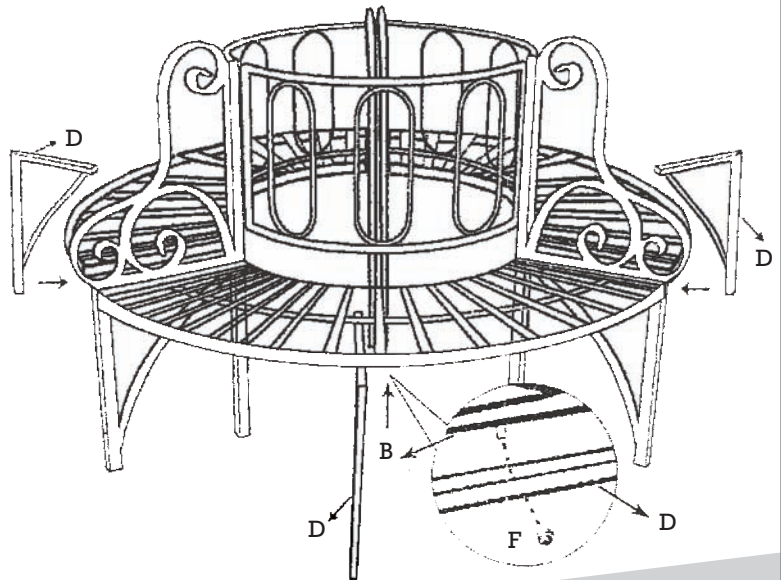
A (6 PCS) B (3 PCS) D (3 PCS) E (12 PCS)

C (3 PCS) F (15 PCS)

Step 2



Step 3



©Copyright 2014, Design Toscano, Inc.

1.800.525.0733
DESIGNTOSCANO.COM

THANK YOU FOR YOUR PURCHASE