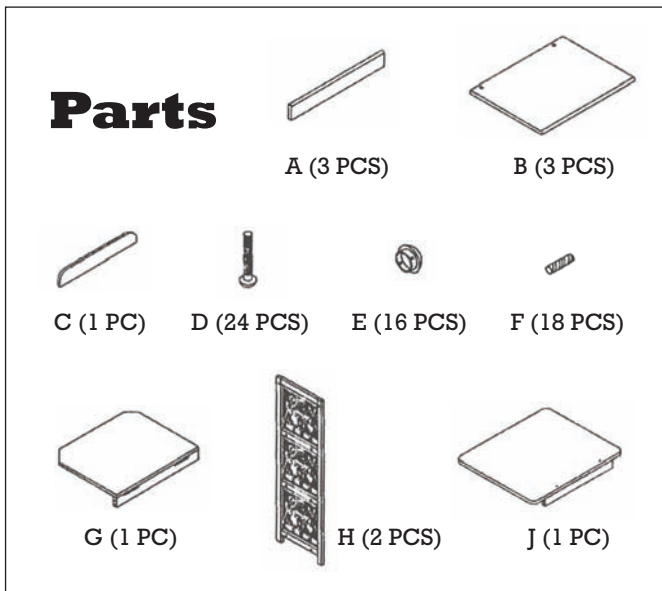


design **TOSCANO**[®]
INSTRUCTIONS
 FOR YOUR **PRODUCT**

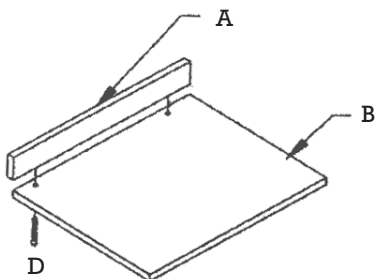
BN1447
 St. Thomas Aquinas Gothic Wooden Bookstand

Thank you for your recent purchase of this Design Toscano exclusive hand-crafted piece of furniture art. We have taken great care to create this piece especially for you. Please review these instructions and assemble this piece with care. Do not over tighten any screw or bolt connection.

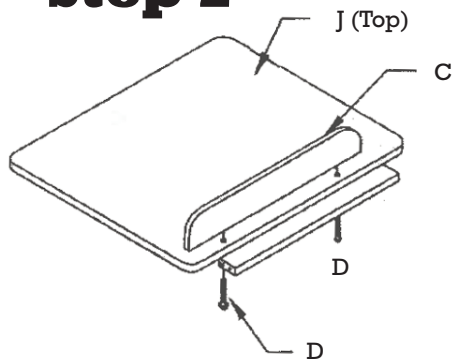


Step 1

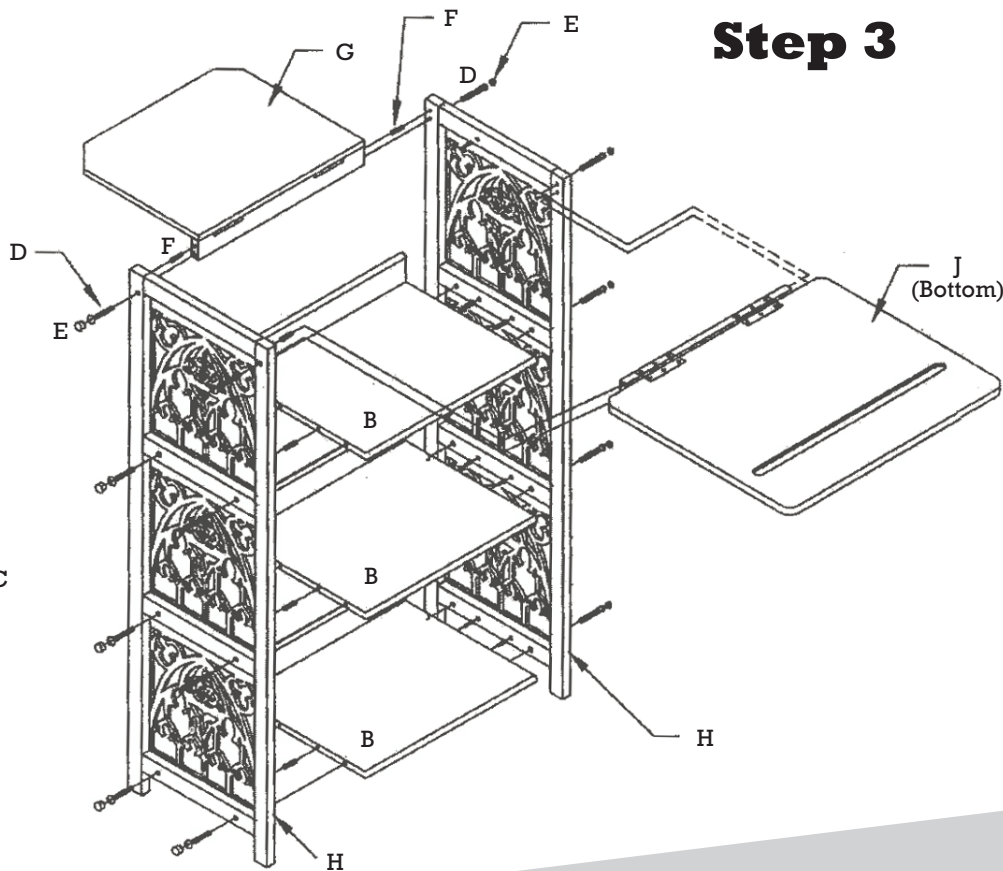
Do this 3 times.



Step 2



Step 3



©Copyright 2014, Design Toscano, Inc.

1.800.525.0733
 DESIGNTOSCANO.COM

THANK YOU FOR YOUR PURCHASE