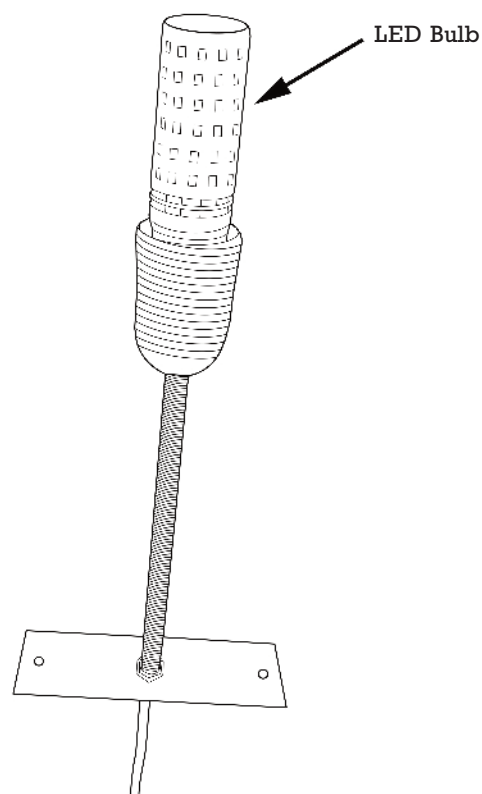
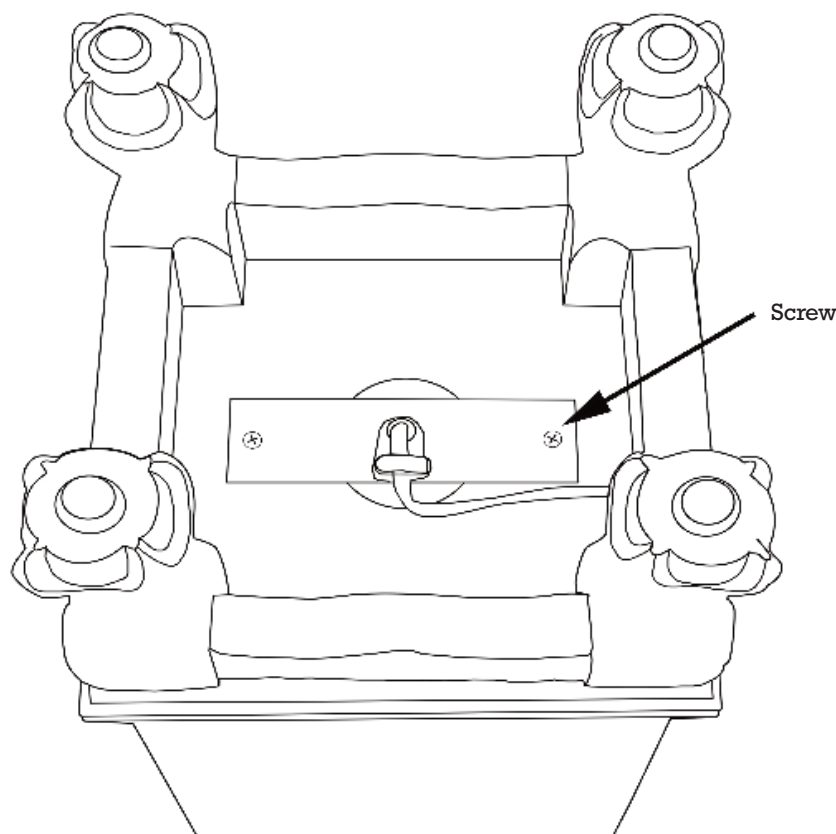


design **TOSCANO**[®]

**INSTRUCTIONS
FOR YOUR PRODUCT**

BN-1037
Baldwin Beaux-Arts Stained Glass
Illuminated Hand-Crafted Pedestal

Thank you for your recent purchase of this Design Toscano hand-crafted piece of furniture art. We have taken great care to create this piece especially for you. Please review these instructions and assemble this piece with care.



Step 1

Turn pedestal upside down.

Step 2

Remove the screws from the bottom plate.

Step 3

Change the E27 LED bulb.
LED bulb can not exceed 30 watts.

Step 4

Place screws back into the plate and tighten.

©Copyright 2019, Design Toscano, Inc.

1 . 8 0 0 . 5 2 5 . 0 7 3 3
DESIGNTOSCANO.COM

**THANK YOU
FOR YOUR PURCHASE**